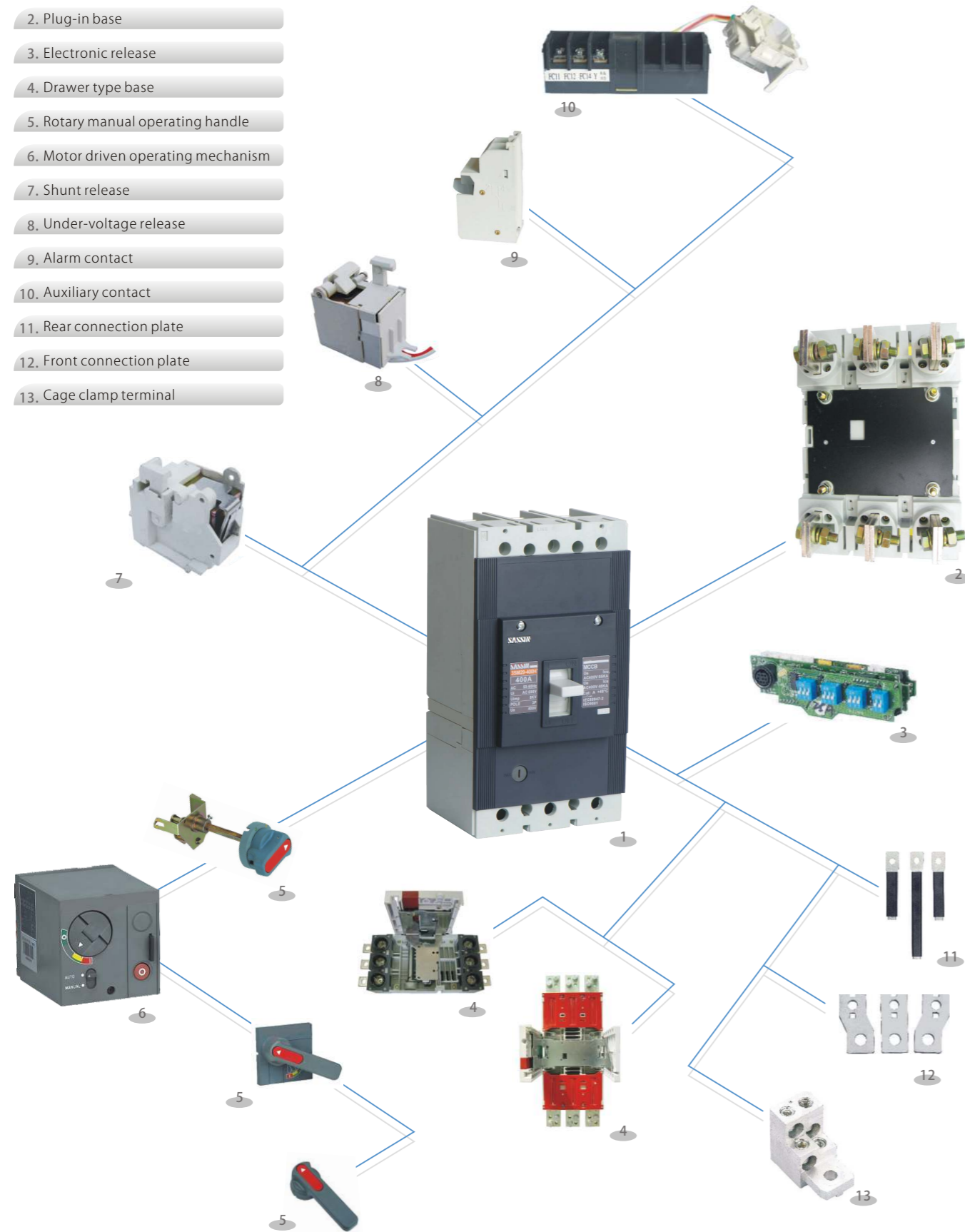




Overview

1. Body
2. Plug-in base
3. Electronic release
4. Drawer type base
5. Rotary manual operating handle
6. Motor driven operating mechanism
7. Shunt release
8. Under-voltage release
9. Alarm contact
10. Auxiliary contact
11. Rear connection plate
12. Front connection plate
13. Cage clamp terminal

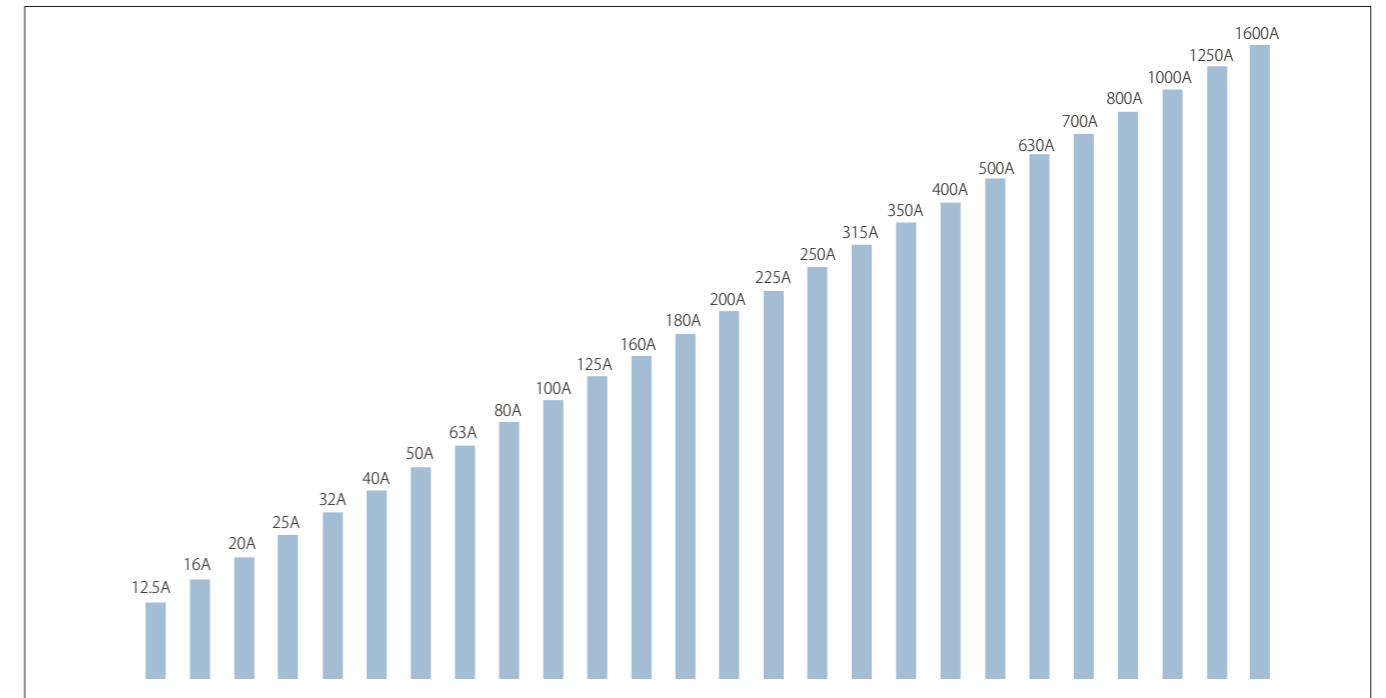


Applications and functions

- Incoming and outgoing function in distribution systems
- Switching and protection of short circuit and overload for motors, transformers and capacitors
- Stopping and switching off in an emergency in conjunction with lockable rotary operating mechanisms and terminal covers
- Available in the following versions :
 - System protection: the overload and short-circuit releases are designed for the protection of cables, leads and non-motor loads.
 - Motor protection: the overload and short-circuit releases are designed for optimized protection and direct-on-line starting of induction squirrel-cage motors.

Features

- Complete current range



- High-breaking capacity

- (1) B: Basic breaking capacity type
- (2) N: Normal breaking capacity type
- (3) S: Standard breaking capacity type
- (4) H: High-breaking capacity type
- (5) G: Ultrahigh breaking capacity type
- (6) X : Current limit type

Frame rated current	Rated ultimate short circuit breaking capacity Icu					
	20kA	35kA	50kA	65kA	85kA	100kA
A: 125A	B	N				
B: 160A	B	N	S			
C: 250A		N	S	H		X
D: 400A		N	S	H		
E: 630A		N	S	H		
F: 800A		N	S	H		X
G: 1250A			S	H	G	
H: 1600A			S	H	G	

Moulded Case Circuit Breakers

Series 3SM29



- Microprocess controlled
3SM29 series circuit breaker ($I_{nm} \geq 250$) adopt advanced microprocess electronic release that can intelligentize the protection.
- Convenient installation
3SM29 series circuit breaker provides three installation types as follow:
 - Fixed installation with front connection and rear connection
 - Plug-in installation with front connection and rear connection
 - Drawer installation

Technical specifications

Type	3SM29-125		3SM29-160		
Standards	IEC60947-2		IEC60947-2		
Approvals	CE		CE		
Frame type	A		B		
Poles (No)	3, 4		3, 4		
N-pole rated current	=In		=In		
Frame Current Inm (A)	125		160		
Rated current In (A)	12.5, 16, 20, 25, 32, 40, 50, 63, 80, 100, 125		32, 40, 50, 63, 80, 100, 125, 160		
Rated insulating voltage Ui (V)	500		690		
Rated service voltage Ue (V)	400		400		
Rated frequency in AC (Hz)	50/60		50/60		
Rated impulsive withstand voltage Uimp (Kv)	6		6		
Class of breaking capacity	B	N	B	N	S
Rated ultimate short-circuit breaking capacity, Icu (kA)					
(AC) 50-60 Hz 400V O-CO (kA)	20	35	20	35	50
(AC) 50-60 Hz 690V O-CO-CO	15	20	16	25	35
Rated operating short-circuit breaking capacity, Ics					
(AC) 50-60 Hz 400V O-CO-CO (kA)	10	17.5	10	17.5	25
(AC) 50-60 Hz 690V O-CO-CO (kA)	-	-	5	10	15
Rated short-time withstand current for 1s (kA)	-		-		
Mechanical life (times)	8500		7000		
Electrical life (times)	1500		1000		
Flashover distance (mm)	≤30		≤30		
Thermal magnetic release	■		■		
Electronic release	-		-		
Utilization category (IEC60947-2)	A		A		
Motor control mechanism	■		■		
Rotary handle operation mechanism	■		■		
Shunt and under voltage release	■		■		
Auxiliary contact and alarm contact	■		■		
Dimension		W (mm)	3P	76	90
		4P	101	120	
		L (mm)	3P	120	120
		4P	120	120	
H (mm)	3P	70	70		
	4P	70	70		
Weight	Fixed	3P/4P	0.92/1.3	1.2/1.6	
	Plug in	3P/4P	1.2/1.5	1.4/1.8	
	Withdrawable	3P/4P	-	-	
Ambient temperature	-5~40°C, max. 95% humidity				
Storage temperature	-40~+75°C				
Altitude (Max)	2,000				

Moulded Case Circuit Breakers

Series 3SM29



Instruction of type code

M29 A T F 3 B 125

Rated current
Breaking capacity: B, N, S, H, G, X
Poles(P): 3, 4
Installation type:
 F: Fixed type; P: Plug in type; D: Drawer type
T: Thermal Magnetic Type
E: Electronic Type
Frame:
 A: 3SM29-125; B: 3SM29-160; C: 3SM29-250
 D: 3SM29-400; E: 3SM29-630; F: 3SM29-800
 G: 3SM29-1250; H: 3SM29-1600



Series code

3SM29-250		3SM29-400			3SM29-630 3SM29-800				3SM29-1250 3SM29-1600				
IEC60947-2		IEC60947-2			IEC60947-2				IEC60947-2				
CE, CB, KEMA		CE			CE				CE				
C		D			E, F				G, H				
3, 4		3, 4			3, 4				3				
=In		=In			=In				=In				
250		400			630, 800				1250, 1600				
125, 160, 180, 200, 225, 250		250, 315, 350, 400			400, 500, 630, 700, 800				800, 1000, 1250, 1600				
690		690			690				690				
400		400			400				400				
50/60		50/60			50/60				50/60				
8		8			8				8				
N	S	H	X	N	S	H	N	S	H	X	S	H	G
35	50	65	100	35	50	65	35	50	65	100	50	65	85
20	30	35	70	20	30	35	20	30	35	70	30	35	50
35	37.5	48.8	75	35	37.5	48.8	35	37.5	48.8	75	50	48.75	50
20	30	35	50	20	30	35	20	35	30	50	35	35	35
-		-			10				20				
7000		4000			4000				2500				
1000		1000			1000				500				
≤50		≤50			≤80				≤80				
■		■			■				■				
■		■			■				■				
A		A, B			A, B				A, B				
■		■			■				■				
■		■			■				■				
■		■			■				■				
105		105			140				210				
140		140			184				280				
170		254			254				268				
170		254			254				268				
103.5		103.5			103.5				103.5				
103.5		103.5			103.5				103.5				
2.7/3.5		5			5.1/7				9.6/12.2				
3.2/4.2		8.2			6.2/8.5				-				
3.6/4.6		9			6.5/8.7				12.2/15.3				
									17.2/22.2				
									-				
									22/30.1				
									-5~+40°C, max. 95% humidity				
									-40~+75°C				
									2,000				

Moulded Case Circuit Breakers

Series 3SM29



Selection and ordering data

Thermal Magnetic Type

3SM29-125	Breaking capacity	Rated current(A)	Poles	Fixed type		Plug in type		Drawer type	
				Type code	Order code	Type code	Order code	Type code	Order code
20kA (B)	12.5	16	3	M29ATF 3B12.5	10484	M29ATP 3B12.5	10506	-	-
			4	M29ATF 4B12.5	10528	M29ATP 4B12.5	10550	-	-
			3	M29ATF 3B16	10485	M29ATP 3B16	10507	-	-
			4	M29ATF 4B16	10529	M29ATP 4B16	10551	-	-
		20	3	M29ATF 3B20	10486	M29ATP 3B20	10508	-	-
			4	M29ATF 4B20	10530	M29ATP 4B20	10552	-	-
			3	M29ATF 3B25	10487	M29ATP 3B25	10509	-	-
			4	M29ATF 4B25	10531	M29ATP 4B25	10553	-	-
		25	3	M29ATF 3B32	10488	M29ATP 3B32	10510	-	-
			4	M29ATF 4B32	10532	M29ATP 4B32	10554	-	-
			3	M29ATF 3B40	10489	M29ATP 3B40	10511	-	-
			4	M29ATF 4B40	10533	M29ATP 4B40	10555	-	-
		30	3	M29ATF 3B50	10490	M29ATP 3B50	10512	-	-
			4	M29ATF 4B50	10534	M29ATP 4B50	10556	-	-
			3	M29ATF 3B63	10491	M29ATP 3B63	10513	-	-
			4	M29ATF 4B63	10535	M29ATP 4B63	10557	-	-
		40	3	M29ATF 3B80	10492	M29ATP 3B80	10514	-	-
			4	M29ATF 4B80	10536	M29ATP 4B80	10558	-	-
			3	M29ATF 3B100	10493	M29ATP 3B100	10515	-	-
			4	M29ATF 4B100	10537	M29ATP 4B100	10559	-	-
50	3	M29ATF 3B125	10494	M29ATP 3B125	10516	-	-		
	4	M29ATF 4B125	10538	M29ATP 4B125	10560	-	-		
	3	M29ATF 3N12.5	10495	M29ATP 3N12.5	10517	-	-		
	4	M29ATF 4N12.5	10539	M29ATP 4N12.5	10561	-	-		
63	3	M29ATF 3N16	10496	M29ATP 3N16	10518	-	-		
	4	M29ATF 4N16	10540	M29ATP 4N16	10562	-	-		
	3	M29ATF 3N20	10497	M29ATP 3N20	10519	-	-		
	4	M29ATF 4N20	10541	M29ATP 4N20	10563	-	-		
80	3	M29ATF 3N25	10498	M29ATP 3N25	10520	-	-		
	4	M29ATF 4N25	10542	M29ATP 4N25	10564	-	-		
	3	M29ATF 3N32	10499	M29ATP 3N32	10521	-	-		
	4	M29ATF 4N32	10543	M29ATP 4N32	10565	-	-		
100	3	M29ATF 3N40	10500	M29ATP 3N40	10522	-	-		
	4	M29ATF 4N40	10544	M29ATP 4N40	10566	-	-		
	3	M29ATF 3N50	10501	M29ATP 3N50	10523	-	-		
	4	M29ATF 4N50	10545	M29ATP 4N50	10567	-	-		
125	3	M29ATF 3N63	10502	M29ATP 3N63	10524	-	-		
	4	M29ATF 4N63	10546	M29ATP 4N63	10568	-	-		
	3	M29ATF 3N80	10503	M29ATP 3N80	10525	-	-		
	4	M29ATF 4N80	10547	M29ATP 4N80	10569	-	-		
35kA (N)	12.5	3	M29ATF 3N100	10504	M29ATP 3N100	10526	-	-	
		4	M29ATF 4N100	10548	M29ATP 4N100	10570	-	-	
		3	M29ATF 3N125	10505	M29ATP 3N125	10527	-	-	
		4	M29ATF 4N125	10549	M29ATP 4N125	10571	-	-	



Moulded Case Circuit Breakers

Series 3SM29



Thermal Magnetic Type

3SM29-160	Breaking capacity	Rated current(A)	Poles	Fixed type		Plug in type		Drawer type		
				Type code	Order code	Type code	Order code	Type code	Order code	
35kA (N)	32	40	3	M29BTF 3N32	10580	M29BTP 3N32	34355	-	-	
			4	M29BTF 4N32	10604	M29BTP 4N32	10612	-	-	
			3	M29BTF 3N40	10581	M29BTP 3N40	34356	-	-	
			4	M29BTF 4N40	10605	M29BTP 4N40	10613	-	-	
		50	3	M29BTF 3N50	10582	M29BTP 3N50	34357	-	-	
			4	M29BTF 4N50	10606	M29BTP 4N50	10614	-	-	
			3	M29BTF 3N63	10583	M29BTP 3N63	34358	-	-	
			4	M29BTF 4N63	10607	M29BTP 4N63	10615	-	-	
		63	3	M29BTF 3N80	10584	M29BTP 3N80	34359	-	-	
			4	M29BTF 4N80	10608	M29BTP 4N80	10616	-	-	
			3	M29BTF 3N100	10585	M29BTP 3N100	34360	-	-	
			4	M29BTF 4N100	10609	M29BTP 4N100	10617	-	-	
		80	3	M29BTF 3N125	10586	M29BTP 3N125	34361	-	-	
			4	M29BTF 4N125	10610	M29BTP 4N125	10618	-	-	
			3	M29BTF 3N160	10587	M29BTP 3N160	34362	-	-	
			4	M29BTF 4N160	10611	M29BTP 4N160	10619	-	-	
		50kA (S)	32	3	M29BTF 3S32	10588	M29BTP 3S32	10596	-	-
				4	M29BTF 4S32	34363	M29BTP 4S32	10620	-	-
				3	M29BTF 3S40	10589	M29BTP 3S40	10597	-	-
				4	M29BTF 4S40	34364	M29BTP 4S40	10621	-	-
40	3		M29BTF 3S50	10590	M29BTP 3S50	10598	-	-		
	4		M29BTF 4S50	34365	M29BTP 4S50	10622	-	-		
	3		M29BTF 3S63	10591	M29BTP 3S63	10599	-	-		
	4		M29BTF 4S63	34366	M29BTP 4S63	10623	-	-		
50	3		M29BTF 3S80	10592	M29BTP 3S80	10600	-	-		
	4		M29BTF 4S80	34367	M29BTP 4S80	10624	-	-		
	3		M29BTF 3S100	10593	M29BTP 3S100	10601	-	-		
	4		M29BTF 4S100	34368	M29BTP 4S100	10625	-	-		
63	3		M29BTF 3S125	10594	M29BTP 3S125	10602	-	-		
	4		M29BTF 4S125	34369	M29BTP 4S125	10626	-	-		
	3		M29BTF 3S160	10595	M29BTP 3S160	10603	-	-		
	4		M29BTF 4S160	34370	M29BTP 4S160	10627	-	-		



3SM29-250

35kA (N)	125	3	M29CTF 3N125	10371	M29CTP 3N125	10638	M29CTD 3N125	10656	
		4	M29CTF 4N125	10674	M29CTP 4N125	10692	M29CTD 4N125	16011	
		3	M29CTF 3N160	10372	M29CTP 3N160	10639	M29CTD 3N160	10657	
		4	M29CTF 4N160	10675	M29CTP 4N160	10693	M29CTD 4N160	16012	
	160	3	M29CTF 3N180	10373	M29CTP 3N180	10640	M29CTD 3N180	10658	
		4	M29CTF 4N180	10676	M29CTP 4N180	10694	M29CTD 4N180	16013	
		3	M29CTF 3N200	10374	M29CTP 3N200	10641	M29CTD 3N200	10659	
		4	M29CTF 4N200	10678	M29CTP 4N200	10695	M29CTD 4N200	16014	
	180	3	M29CTF 3N225	10375	M29CTP 3N225	10642	M29CTD 3N225	10660	
		4	M29CTF 4N225	10679	M29CTP 4N225	10696	M29CTD 4N225	16015	
		3	M29CTF 3N250	10376	M29CTP 3N250	10643	M29CTD 3N250	10661	
		4	M29CTF 4N250	10680	M29CTP 4N250	10697	M29CTD 4N250	16016	
	50kA (S)	125	3	M29CTF 3S125	34377	M29CTP 3S125	10644	M29CTD 3S125	10662
			4	M29CTF 4S125	10680	M29CTP 4S125	10698	M29CTD 4S125	16017
			3	M29CTF 3S160	34378	M29CTP 3S160	10645	M29CTD 3S160	10663
			4	M29CTF 4S160	10681	M29CTP 4S160	10699	M29CTD 4S160	16018
		160	3	M29CTF 3S180	34379	M29CTP 3S180	10646	M29CTD 3S180	10664
			4	M29CTF 4S180	10682	M29CTP 4S180	10700	M29CTD 4S180	16019
			3	M29CTF 3S200	34380	M29CTP 3S200	10647	M29CTD 3S200	10665
			4	M29CTF 4S200	10683	M29CTP 4S200	10701	M29CTD 4S200	16020
180		3	M29CTF 3S225	34381	M29CTP 3S225	10648	M29CTD 3S225	10666	
		4	M29CTF 4S225	10684	M29CTP 4S225	10702	M29CTD 4S225	16021	
		3	M29CTF 3S250	34382	M29CTP 3S250	10649	M29CTD 3S250	10667	
		4	M29CTF 4S250	10685	M29CTP 4S250	10703	M29CTD 4S250	16022	

Moulded Case Circuit Breakers
Series 3SM29



Electronic Type

3SM29-250	Breaking capacity	Rated current(A)	Poles	Fixed type		Plug in type		Drawer type		
				Type code	Order code	Type code	Order code	Type code	Order code	
3SM29-250	35kA (N)	125	3	M29CEF 3N125	34139	M29CEP 3N125	34145	M29CED 3N125	34151	
			4	M29CEF 4N125	34193	-	-	-		
		160	3	M29CEF 3N160	34140	M29CEP 3N160	34146	M29CED 3N160	34152	
			4	M29CEF 4N160	34194	-	-	-		
		180	3	M29CEF 3N180	34141	M29CEP 3N180	34147	M29CED 3N180	34153	
			4	M29CEF 4N180	34195	-	-	-		
		200	3	M29CEF 3N200	34142	M29CEP 3N200	34148	M29CED 3N200	34154	
			4	M29CEF 4N200	34196	-	-	-		
		225	3	M29CEF 3N225	34143	M29CEP 3N225	34149	M29CED 3N225	34155	
			4	M29CEF 4N225	34197	-	-	-		
		250	3	M29CEF 3N250	34144	M29CEP 3N250	34150	M29CED 3N250	34156	
			4	M29CEF 4N250	34198	-	-	-		
	50kA (S)	125	3	M29CEF 3S125	34199	M29CEP 3S125	34205	M29CED 3S125	36229	
			4	M29CEF 4S125	36235	-	-	-		
		160	3	M29CEF 3S160	34200	M29CEP 3S160	34206	M29CED 3S160	36230	
			4	M29CEF 4S160	36236	-	-	-		
		180	3	M29CEF 3S180	34201	M29CEP 3S180	34207	M29CED 3S180	36231	
			4	M29CEF 4S180	36237	-	-	-		
		200	3	M29CEF 3S200	34202	M29CEP 3S200	34208	M29CED 3S200	36232	
			4	M29CEF 4S200	36238	-	-	-		
		225	3	M29CEF 3S225	34203	M29CEP 3S225	34209	M29CED 3S225	36233	
			4	M29CEF 4S225	36239	-	-	-		
		250	3	M29CEF 3S250	34204	M29CEP 3S250	34210	M29CED 3S250	36234	
			4	M29CEF 4S250	36240	-	-	-		
65kA (H)	125	3	M29CEF 3H125	36241	M29CEP 3H125	36247	M29CED 3H125	36253		
		4	M29CEF 4H125	36259	-	-	-			
	160	3	M29CEF 3H160	36242	M29CEP 3H160	36248	M29CED 3H160	36254		
		4	M29CEF 4H160	36260	-	-	-			
	180	3	M29CEF 3H180	36243	M29CEP 3H180	36249	M29CED 3H180	36255		
		4	M29CEF 4H180	36261	-	-	-			
	200	3	M29CEF 3H200	36244	M29CEP 3H200	36250	M29CED 3H200	36256		
		4	M29CEF 4H200	36262	-	-	-			
	225	3	M29CEF 3H225	36245	M29CEP 3H225	36251	M29CED 3H225	36257		
		4	M29CEF 4H225	36263	-	-	-			
	250	3	M29CEF 3H250	36246	M29CEP 3H250	36252	M29CED 3H250	36258		
		4	M29CEF 4H250	36264	-	-	-			
100kA (X)	125	3	M29CEF 3X125	36265	M29CEP 3X125	36271	M29CED 3X125	36277		
		4	M29CEF 4X125	36283	-	-	-			
	160	3	M29CEF 3X160	36266	M29CEP 3X160	36272	M29CED 3X160	36278		
		4	M29CEF 4X160	36284	-	-	-			
	180	3	M29CEF 3X180	36267	M29CEP 3X180	36273	M29CED 3X180	36279		
		4	M29CEF 4X180	36285	-	-	-			
	200	3	M29CEF 3X200	36268	M29CEP 3X200	36274	M29CED 3X200	36280		
		4	M29CEF 4X200	36286	-	-	-			
	225	3	M29CEF 3X225	36269	M29CEP 3X225	36275	M29CED 3X225	36281		
		4	M29CEF 4X225	36287	-	-	-			
	250	3	M29CEF 3X250	36270	M29CEP 3X250	36276	M29CED 3X250	36282		
		4	M29CEF 4X250	36288	-	-	-			
3SM29-400	35kA (N)	250	3	M29DEF 3N250	36289	M29DEP 3N250	36293	M29DED 3N250	36297	
			4	M29DEF 4N250	36301	-	-	-		
		315	3	M29DEF 3N315	36290	M29DEP 3N315	36294	M29DED 3N315	36298	
			4	M29DEF 4N315	36302	-	-	-		
		350	3	M29DEF 3N350	36291	M29DEP 3N350	36295	M29DED 3N350	36299	
			4	M29DEF 4N350	36303	-	-	-		
		400	3	M29DEF 3N400	36292	M29DEP 3N400	36296	M29DED 3N400	36300	
			4	M29DEF 4N400	36304	-	-	-		
		50kA (S)	250	3	M29DEF 3S250	36305	M29DEP 3S250	36309	M29DED 3S250	36313
				4	M29DEF 4S250	36317	-	-	-	
			315	3	M29DEF 3S315	36306	M29DEP 3S315	36310	M29DED 3S315	36314
				4	M29DEF 4S315	36318	-	-	-	
	350		3	M29DEF 3S350	36307	M29DEP 3S350	36311	M29DED 3S350	36315	
			4	M29DEF 4S350	36319	-	-	-		
	400		3	M29DEF 3S400	36308	M29DEP 3S400	36312	M29DED 3S400	36316	
			4	M29DEF 4S400	36320	-	-	-		



Moulded Case Circuit Breakers
Series 3SM29



Electronic Type

3SM29-400	Breaking capacity	Rated current(A)	Poles	Fixed type		Plug in type		Drawer type		
				Type code	Order code	Type code	Order code	Type code	Order code	
3SM29-400	65kA (H)	250	3	M29DEF 3H250	36321	M29DEP 3H250	36325	M29DED 3H250	36329	
			4	M29DEF 4H250	36333	-	-	-		
		315	3	M29DEF 3H315	36322	M29DEP 3H315	36326	M29DED 3H315	36330	
			4	M29DEF 4H315	36334	-	-	-		
		350	3	M29DEF 3H350	36323	M29DEP 3H350	36327	M29DED 3H350	36331	
			4	M29DEF 4H350	36335	-	-	-		
	400	3	M29DEF 3H400	36324	M29DEP 3H400	36328	M29DED 3H400	36332		
		4	M29DEF 4H400	36336	-	-	-			
	3SM29-630	35kA (N)	400	3	M29EEF 3N400	36340	-	-	M29EED 3N400	36346
				4	M29EEF 4N400	36352	-	-	-	
			500	3	M29EEF 3N500	36341	-	-	M29EED 3N500	36347
				4	M29EEF 4N500	36353	-	-	-	
630			3	M29EEF 3N630	36342	-	-	M29EED 3N630	36348	
			4	M29EEF 4N630	36354	-	-	-		
50kA (S)		400	3	M29EEF 3S400	36358	-	-	M29EED 3S400	36364	
			4	M29EEF 4S400	36370	-	-	-		
		500	3	M29EEF 3S500	36359	-	-	M29EED 3S500	36365	
			4	M29EEF 4S500	36371	-	-	-		
		630	3	M29EEF 3S630	36360	-	-	M29EED 3S630	36366	
			4	M29EEF 4S630	36372	-	-	-		
65kA (H)	400	3	M29EEF 3H400	36376	-	-	M29EED 3H400	36382		
		4	M29EEF 4H400	36388	-	-	-			
	500	3	M29EEF 3H500	36377	-	-	M29EED 3H500	36383		
		4	M29EEF 4H500	36389	-	-	-			
	630	3	M29EEF 3H630	36378	-	-	M29EED 3H630	36384		
		4	M29EEF 4H630	36390	-	-	-			
100kA (X)	400	3	M29EEF 3X400	36418	-	-	M29EED 3X400	36424		
		4	M29EEF 4X400	36430	-	-	-			
	500	3	M29EEF 3X500	36419	-	-	M29EED 3X500	36425		
		4	M29EEF 4X500	36431	-	-	-			
	630	3	M29EEF 3X630	36420	-	-	M29EED 3X630	36426		
		4	M29EEF 4X630	36432	-	-	-			
3SM29-800	35kA (N)	400	3	M29FEF 3N400	36433	-	-	M29FTD 3N400	36438	
			4	M29FEF 4N400	36443	-	-	-		
		500	3	M29FEF 3N500	36434	-	-	M29FTD 3N500	36439	
			4	M29FEF 4N500	36444	-	-	-		
		630	3	M29FEF 3N630	36435	-	-	M29FTD 3N630	36440	
			4	M29FEF 4N630	36445	-	-	-		
		700	3	M29FEF 3N700	36436	-	-	M29FTD 3N700	36441	
			4	M29FEF 4N700	36446	-	-	-		
		800	3	M29FEF 3N800	36437	-	-	M29FTD 3N800	36442	
			4	M29FEF 4N800	36447	-	-	-		
		50kA (S)	400	3	M29FEF 3S400	36448	-	-	M29FTD 3S400	36453
				4	M29FEF 4S400	36458	-	-	-	
	500		3	M29FEF 3S500	36449	-	-	M29FED 3S500	36454	
			4	M29FEF 4S500	36459	-	-	-		
	630		3	M29FEF 3S630	36450	-	-	M29FED 3S630	36455	
			4	M29FEF 4S630	36460	-	-	-		
	700		3	M29FEF 3S700	36451	-	-	M29FED 3S700	36456	
			4	M29FEF 4S700	36461	-	-	-		
	800		3	M29FEF 3S800	36452	-	-	M29FED 3S800	36457	
			4	M29FEF 4S800	36462	-	-	-		





Electronic Type

	Breaking capacity	Rated current(A)	Poles	Fixed type		Plug in type		Drawer type		
				Type code	Order code	Type code	Order code	Type code	Order code	
	65kA (H)	400	3	M29FEF 3H400	36463	-	-	M29FED 3H400	36468	
			4	M29FEF 4H400	36473	-	-	-	-	
		500	3	M29FEF 3H500	36464	-	-	M29FED 3H500	36469	
			4	M29FEF 4H500	36474	-	-	-	-	
		630	3	M29FEF 3H630	36465	-	-	M29FED 3H630	36470	
			4	M29FEF 4H630	36475	-	-	-	-	
	700	3	M29FEF 3H700	36466	-	-	M29FED 3H700	36471		
		4	M29FEF 4H700	36476	-	-	-	-		
	800	3	M29FEF 3H800	36467	-	-	M29FED 3H800	36472		
		4	M29FEF 4H800	36477	-	-	-	-		
	100kA (X)	400	3	M29FEF 3X400	36478	-	-	M29FED 3X400	36483	
			4	M29FEF 4X400	36488	-	-	-	-	
		500	3	M29FEF 3X500	36479	-	-	M29FED 3X500	36484	
			4	M29FEF 4X500	36489	-	-	-	-	
		630	3	M29FEF 3X630	36480	-	-	M29FED 3X630	36485	
			4	M29FEF 4X630	36490	-	-	-	-	
		700	3	M29FEF 3X700	36481	-	-	M29FED 3X700	36486	
			4	M29FEF 4X700	36491	-	-	-	-	
800		3	M29FEF 3X800	36482	-	-	M29FED 3X800	36487		
		4	M29FEF 4X800	36492	-	-	-	-		
		50kA (S)	800	3	M29GF 3S800	34289	-	-	M29GD 3S800	34298
				4	-	-	-	-	-	-
	1000		3	M29GF 3S1000	34290	-	-	M29GD 3S1000	34299	
			4	-	-	-	-	-	-	
	1250		3	M29GF 3S1250	34291	-	-	M29GD 3S1250	34300	
			4	-	-	-	-	-	-	
	65kA (H)	800	3	M29GF 3H800	34292	-	-	M29GD 3H800	34301	
			4	-	-	-	-	-	-	
		1000	3	M29GF 3H1000	34293	-	-	M29GD H1000	34302	
			4	-	-	-	-	-	-	
		1250	3	M29GF 3H1250	34294	-	-	M29GD H1250	34303	
			4	-	-	-	-	-	-	
80kA (G)	800	3	M29GF 3G800	34295	-	-	M29GD 3G800	34304		
		4	-	-	-	-	-	-		
	1000	3	M29GF 3G1000	34296	-	-	M29GD 3G1000	34305		
		4	-	-	-	-	-	-		
	1250	3	M29GF 3G1250	34297	-	-	M29GD 3G1250	34306		
		4	-	-	-	-	-	-		
	50kA (S)	800	3	M29HF 3S800	34307	-	-	M29HD 3S800	34319	
			4	-	-	-	-	-	-	
		1000	3	M29HF 3S1000	34308	-	-	M29HD 3S1000	34320	
			4	-	-	-	-	-	-	
		1250	3	M29HF 3S1250	34309	-	-	M29HD 3S1250	34321	
			4	-	-	-	-	-	-	
	1600	3	M29HF 3S1600	34310	-	-	M29HD 3S1600	34322		
		4	-	-	-	-	-	-		
	65kA (H)	800	3	M29HF 3H800	34311	-	-	M29HD 3H800	34323	
			4	-	-	-	-	-	-	
		1000	3	M29HF 3H1000	34312	-	-	M29HD 3H1000	34324	
			4	-	-	-	-	-	-	
		1250	3	M29HF 3H1250	34313	-	-	M29HD 3H1250	34325	
			4	-	-	-	-	-	-	
	1600	3	M29HF 3H1600	34314	-	-	M29HD 3H1600	34326		
		4	-	-	-	-	-	-		
	80kA (G)	800	3	M29HF 3G800	34315	-	-	M29HD 3G800	34327	
			4	-	-	-	-	-	-	
1000		3	M29HF 3G1000	34316	-	-	M29HD 3G1000	34328		
		4	-	-	-	-	-	-		
1250		3	M29HF 3G1250	34317	-	-	M29HD 3G1250	34329		
		4	-	-	-	-	-	-		
1600	3	M29HF 3G1600	34318	-	-	M29HD 3G1600	34330			
	4	-	-	-	-	-	-			



Motor driven mechanism




Function

- Used for opening and closing the circuit breaker remotely

Technical specifications

Model type	MD1	MD2	MD3
Application	3SM29-250 3SM29-400	3SM29-125 3SM29-160	3SM29-630,3SM29-800 3SM29-1600
Operating voltage range	(85%-110%)Un		
Rated control voltage	220Vac,380Vac,220Vdc,110Vdc	220Vac,380Vac,220Vdc,110Vdc	220Vac,380Vac,220Vdc,110Vdc
Operating current (A)	≤2	≤0.5	≤7.5
Start power consumption in 220/380Vac (VA)	510	220	660
Continuance power consumption in 220/380Vac(VA)	360	110	110(180)
Start power consumption in 110/220Vdc (W)	510	220	600
Continuance power consumption in 110/220Vdc (W)	360	110	180
Opening time (s)	0.1	0.1	0.1
Closing time (s)	0.1	0.1	0.3
Electrical life(times)	4000	8000	3000
Protection degree		IP40	

Selection and ordering data

Model	Application	Rated control voltage (VAC)	Type code	Order code
	Frame A	3SM29-125	220...240V AC	M29A MM240A 10709
		380...415V AC	M29A MM415A 32727	
	Frame B	3SM29-160	220...240V AC	M29B MM240A 10719
380...415V AC		M29B MM415A 32728		
	Frame C	3M29-250	220...240V AC	M29C MM240A 10729
		380...415V AC	M29C MM415A 32729	
	Frame D	3SM29-400	220...240V AC	M29DMM240A 10739
		380...415V AC	M29D MM415A 32730	
	Frame E/F	3SM29-630...800	220...240V AC	M29EF MM240A 10749
		380...415V AC	M29EF MM415A 32731	
	Frame G/H	3SM29-1250...1600	220...240V AC	M29GH MM240A 10759
		380...415V AC	M29GH MM415A 32732	



Rotary handle operation mechanism

Functions

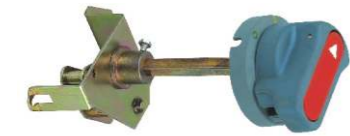
- Used for opening and closing the circuit breaker
- Used for rotating the circuit breaker, not pushing-pulling it upwards-downwards

Technical specifications

Model type	CSS-1	CSS-2	A-1	A-2	F-1	F-2
Application	3SM29-125 3SM29-160	3SM29-250 3SM29-400 3SM29-630 3SM29-800 3SM29-1600	3SM29-125 3SM29-160 3SM29-250 3SM29-400	3SM29-630 3SM29-800 3SM29-1600	3SM29-125 3SM29-160 3SM29-250 3SM29-400	3SM29-630 3SM29-800 3SM29-1600
Feature	Extended round rotary handle	Extended rectangle rotary handle	Round rotary handle	Round rotary handle	Rectangle rotary handle	Rectangle rotary handle
Protection degree	IP30	IP30	IP30	IP30	IP30	IP30

Selection and ordering data

Installation	Operation device	Rotary handle	Application	Without interlock		With interlock	
				Type code	Order code	Type code	Order code
In breaker	RHM2	A type, round handle	Frame A 3SM29-125	-	-	-	-
			Frame B 3SM29-160	-	-	-	-
			Frame C 3SM29-250	M29C RHM2	10750	M29C RHM2L	10711
			Frame D 3SM29-400	M29DE RHM2	10755	M29DE RHM2L	10712
			Frame E/F 3SM29-630...800	M29EF RHM2	10756	M29EF RHM2L	10713
			Frame G/H 3SM29-1250...1600	M29GH RHM2	10760	M29GH RHM2L	10714
			Frame A 3SM29-125	-	-	-	-
In switch box's door	RHM1 central type	A type, square long handle	Frame B 3SM29-160	-	-	-	-
			Frame C 3SM29-250	M29C RHM1AS	10731	M29C RHM1ASL	10751
			Frame D 3SM29-400	M29D RHM1AS	10732	M29D RHM1ASL	10752
			Frame E/F 3SM29-630...800	M29EF RHM1AL	10733	M29EF RHM1ALL	10753
			Frame G/H 3SM29-1250...1600	M29GH RHM1AL	10734	M29GH RHM1ALL	10754
			Frame A 3SM29-125	-	-	-	-
			Frame B 3SM29-160	-	-	-	-
		B type, square short handle	Frame C 3SM29-250	M29C RHM1BS	32745	M29C RHM1BSL	32749
			Frame D 3SM29-400	M29DRHM1BS	32746	M29D RHM1BSL	32750
			Frame E/F 3SM29-630...800	M29EF RHM1BL	32747	M29EF RHM1BLL	32751
			Frame G/H 3SM29-1250...1600	M29GH RHM1BL	32748	M29GH RHM1BLL	32752
			Frame A 3SM29-125	M29A RHM3AS	32753	M29A RHM3ASL	10730
			Frame B 3SM29-160	M29B RHM3AS	32754	M29B RHM3ASL	10736
			Frame C 3SM29-250	M29C RHM3AS	32755	M29C RHM3ASL	33040
A type, square long handle	Frame D 3SM29-400	M29D RHM3AS	32756	M29D RHM3ASL	33041		
	Frame E/F 3SM29-630...800	M29EF RHM3AL	10710	M29EF RHM3ALL	33042		
	Frame G/H 3SM29-1250...1600	M29GH RHM3AL	10720	M29GH RHM3ALL	33043		
	Frame A 3SM29-125	M29A RHM3BS	33044	M29A RHM3BSL	33050		
	Frame B 3SM29-160	M29B RHM3BS	33045	M29B RHM3BSL	33051		
	Frame C 3SM29-250	M29C RHM3BS	33046	M29C RHM3BSL	33052		
	Frame D 3SM29-400	M29D RHM3BS	33047	M29D RHM3BSL	33053		
B type, square long handle	Frame E/F 3SM29-630...800	M29EF RHM3BL	33048	M29EF RHM3BLL	33054		
	Frame G/H 3SM29-1250...1600	M29GH RHM3BL	33049	M29GH RHM3BLL	33055		



Shunt release

Function

- Used for opening the circuit breaker remotely

Technical specifications

Model type	SR91	SR92	SR93
Application	3SM29-125 3SM29-160	3SM29-250 3SM29-400	3SM29-630,3SM29-800 3SM29-1600
Operating voltage range	(70%-110%)Un		
Rated control voltage	220Vac,380Vac,220Vdc,110Vdc	220Vac,380Vac,220Vdc,110Vdc	220Vac,380Vac,220Vdc,110Vdc
Response time(ms)	≥20,≤60		
Power consumption in 220/380Vac (VA)	150	150	150
Power consumption in 110/220Vdc (W)	150	150	150

Selection and ordering data

Model	Application	Rated control voltage	Type code	Order code
SR91	Frame A/B 3SM29-125...160	220...240V AC	M29AB SH240A	10701
		380...415V AC	M29AB SH415A	10702
		110V DC	M29AB SH110D	32733
		220V DC	M29AB SH220D	32734
		Image of SR91 shunt release		
SR92	Frame C/D 3SM29-250...400	220...240V AC	M29CD SH240A	10721
		380...415V AC	M29CD SH415A	10722
		110V DC	M29CD SH110D	32735
		220V DC	M29CD SH220D	32736
		Image of SR92 shunt release		
SR93	Frame E/F/G/H 3SM29-630...1600	220...240V AC	M29FEGH SH240A	10741
		380...415V AC	M29FEGH SH415A	10742
		110V DC	M29FEGH SH110D	32737
		220V DC	M29FEGH SH220D	32738
		Image of SR93 shunt release		



Moulded Case Circuit Breakers

Series 3SM29



Under-voltage release




Function

- Used for opening the circuit breaker when energy cuts off or voltage goes below 70% of the operating voltage

Technical specifications

Model type	UR91	UR92	UR93
Application	3SM29-125, 3SM29-160	3SM29-250, 3SM29-400	3SM29-630, 3SM29-800, 3SM29-1600
Action voltage range		(35%-70%)Ue	
Guarantee close voltage range		(85%-110%)Ue	
Guarantee no-close voltage range		≤35%Ue	
Rated control voltage (V)	220Vac, 380Vac, 220Vdc, 110Vdc	220Vac, 380Vac, 220Vdc, 110Vdc	220Vac, 380Vac, 220Vdc, 110Vdc
Response time (ms)		≥20, ≤60	
Power consumption in 220/380Vac (VA)	10	10	10
Power consumption in 110/220Vdc (W)	4	4	4

Selection and ordering data

Model	Application	Rated control voltage	Type code	Order code
	Frame A/B 3SM29-125...160	220...240V AC	M29AB UV240A	10703
		380...415V AC	M29AB UV415A	10704
		110V DC	M29AB UV110D	32739
		220V DC	M29AB UV220D	32740
	Frame C/D 3SM29-250...400	220...240V AC	M29CDUV240A	10723
		380...415V AC	M29CD UV415A	10724
		110V DC	M29CD UV110D	32741
		220V DC	M29CD UV220D	32742
	Frame E/F/G/H 3SM29-630...1600	220...240V AC	M29EFGH UV240A	10743
		380...415V AC	M29EFGH UV415A	10744
		110V DC	M29EFGH UV110D	32743
		220V DC	M29EFGH UV220D	32744

Moulded Case Circuit Breakers

Series 3SM29






Auxiliary contact and alarm contact

Functions

- Indication of contacting status
- Used for supplying electrical signal of the circuit breaker according to the operating position

Selection and ordering data

Application	Function	Contact position	Type code	Order code
	Frame A/B 3SM29-125...160	Auxiliary contact	1NO+1NC	M29AB AC11 10705
		Auxiliary contact + alarm contact	1NO+1NC+1W	M29AB CW11 10726
	Frame C/D 3SM29-250...400	Auxiliary contact	1NO+1NC	M29CD AC11 10706
			2NO+2NC	M29CD AC22 10715
		Auxiliary contact + alarm contact	1NO+1NC+1W	M29CD CW11 10735
			2NO+2NC+1W	M29CD CW22 10740
	Frame E/F/G/H 3SM29-630...1600	Auxiliary contact	1NO+1NC	M29EFGH AC11 10716
			2NO+2NC	M29EFGH AC22 10725
		Auxiliary contact + alarm contact	1NO+1NC+1W	M29EFGH CW11 10745
			2NO+2NC+1W	M29EFGH CW22 10746



Accessories introduction

Name of accessories	Accessory code		Accessory installation and lead cable method			
	Thermal magnetic release	Duplex release	3SM29-125 3SM29-160	3SM29-250 3SM29-400	3SM29-630 3SM29-800	3SM29-1250 3SM29-1600
			3P、4P	3P、4P	3P、4P	3P
Alarm Contact	208	308				
Shunt release	210	310				
Shunt Release Alarm Contact	218	318				
Auxiliary Contact	220	320				
Auxiliary Contact Alarm Contact	228	328				
Under voltage release	230	330				
Under voltage release Alarm Contact	238	338				
Shunt release Auxiliary Contact	240	340				
Shunt Release Under voltage release Two-sets Auxiliary Contact	248	348				
Two-sets Auxiliary Contact	260	360				
Two-sets Auxiliary Contact Alarm Contact	268	368				
Under voltage release Auxiliary Contact	270	370				
Under voltage release Auxiliary Contact Alarm Contact	278	378				

Attention: handle

left installation right installation

Alarm Contact
 Two-sets Auxiliary Contact
 Shunt release
 Auxiliary Contact
 Under voltage release
 Lead cable direction



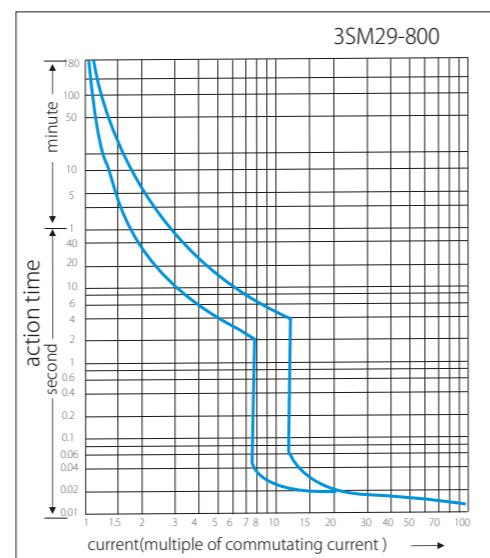
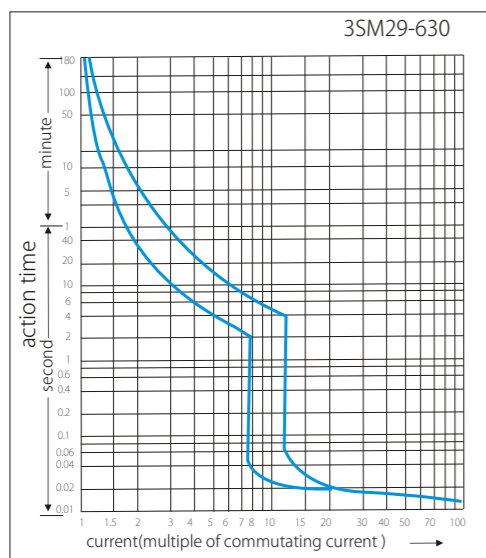
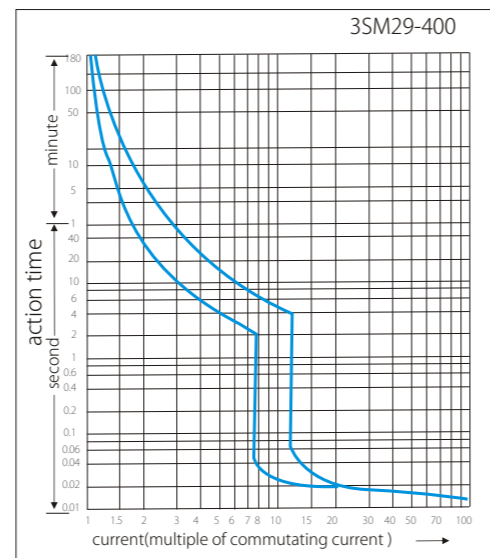
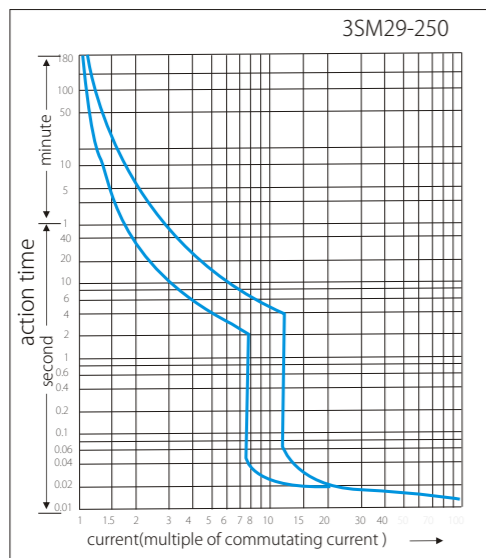
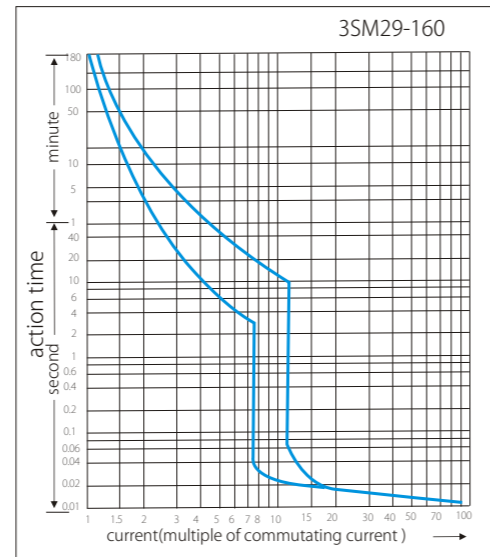
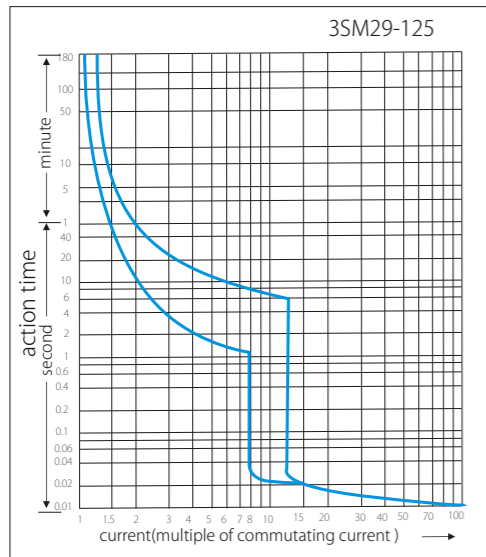
Protection characteristic

- Variable parameters of thermal overload protection current setting
- Characteristics of thermal magnetic over-current release
- Characteristics of inverse time delay thermal releasing-ranges of current settings of thermal inverse time delay

Frame rated current size I _m (A)	Circumstance temperature						Rated current	Current settings of inverse time delay		Adjustable instantaneous current (A)			Instantaneous releasing current	I _n
	+10°C	+20°C	+30°C	+40°C	+50°C	+60°C		Setting IRI		5I _n	7.5I _n	10I _n		
	A/B/C phase		N pole											
125	1.19	1.03	1.06	1.0I _n	0.93	0.87	12.5A	12.5A	12.5A	-	-	-	500A	-
							16A	16A	16A	-	-	-	500A	10
							20A	20A	20A	-	-	-	500A	10
							25A	25A	25A	-	-	-	500A	10
							32A	32A	32A	-	-	-	500A	10
							40A	40A	40A	-	-	-	500A	10
							50A	50A	50A	-	-	-	500A	10
							63A	63A	63A	-	-	-	630A	12
							80A	80A	80A	-	-	-	800A	12
							100A	100A	100A	-	-	-	1000A	12
160	1.15	1.10	1.05	1.0I _n	0.94	0.88	32A	22.4 ~32A	22.4 ~32A	-	-	-	500A	10
							40A	28~40A	28~40A	-	-	-	500A	10
							50A	35~50A	35~50A	-	-	-	500A	10
							63A	44.1 ~63A	44.1 ~63A	-	-	-	630A	12
							80A	56~80A	56~80A	-	-	-	800A	12
							100A	70~100A	70~100A	-	-	-	1000A	12
							125A	87.5 ~125A	87.5 ~125A	-	-	-	1250A	12
250	1.14	1.10	1.05	1.0I _n	0.95	0.87	160A	112~160A	112~160A	-	-	-	1600A	12
							125A	87.5 ~125A	87.5 ~125A	-	-	-	1250A	12
							180A	126 ~180A	126 ~180A	-	-	-	1800A	12
							200A	140 ~200A	140 ~200A	-	-	-	2000A	12
							225A	157.5 ~225A	157.5 ~225A	-	-	-	2250A	12
400	1.13	1.11	1.04	1.0I _n	0.92	0.85	250A	175 ~250A	175 ~250A	1250	1875	2500	2500A	12
							315A	220.5 ~315A	220.5 ~315A	1575	2363	3150	3150A	12
							350A	245 ~350A	245 ~350A	1750	2625	3500	3500A	12
							400A	280 ~400A	280 ~400A	1750	2625	4000	4000A	12
630 800	1.10	1.08	1.03	1.0I _n	0.84	0.77	400A	400A	400A	-	-	-	4000A	-
							500A	500A	500A	-	-	-	5000A	-
							630A	630A	630A	-	-	-	6300A	-
							800A	800A	800A	-	-	-	8000A	-
1250 1600	1.08	1.06	1.02	1.0I _n	0.8	0.73	800A	800A	800A	-	-	-	-	-
							1000A	1000A	1000A	-	-	-	-	-
							1250A	1250A	1250A	-	-	-	-	-
							1600A	1600A	1600A	-	-	-	-	-

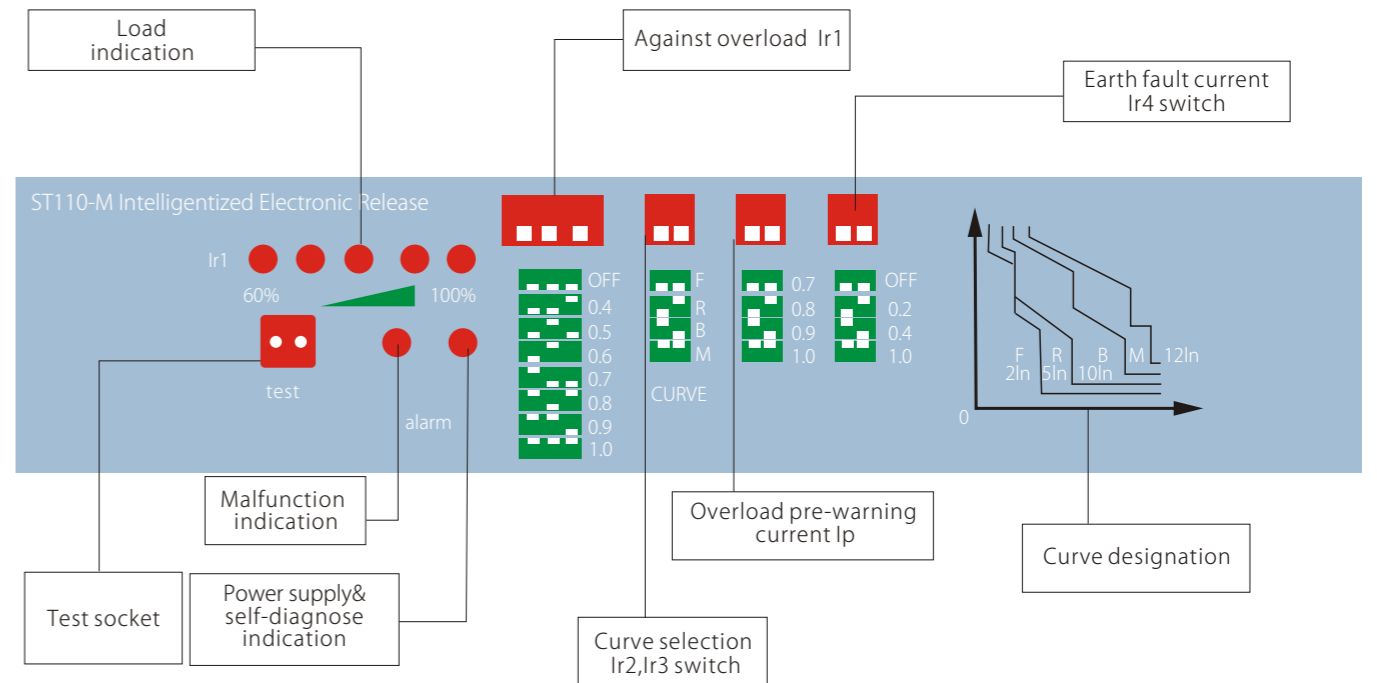


Tripping curve

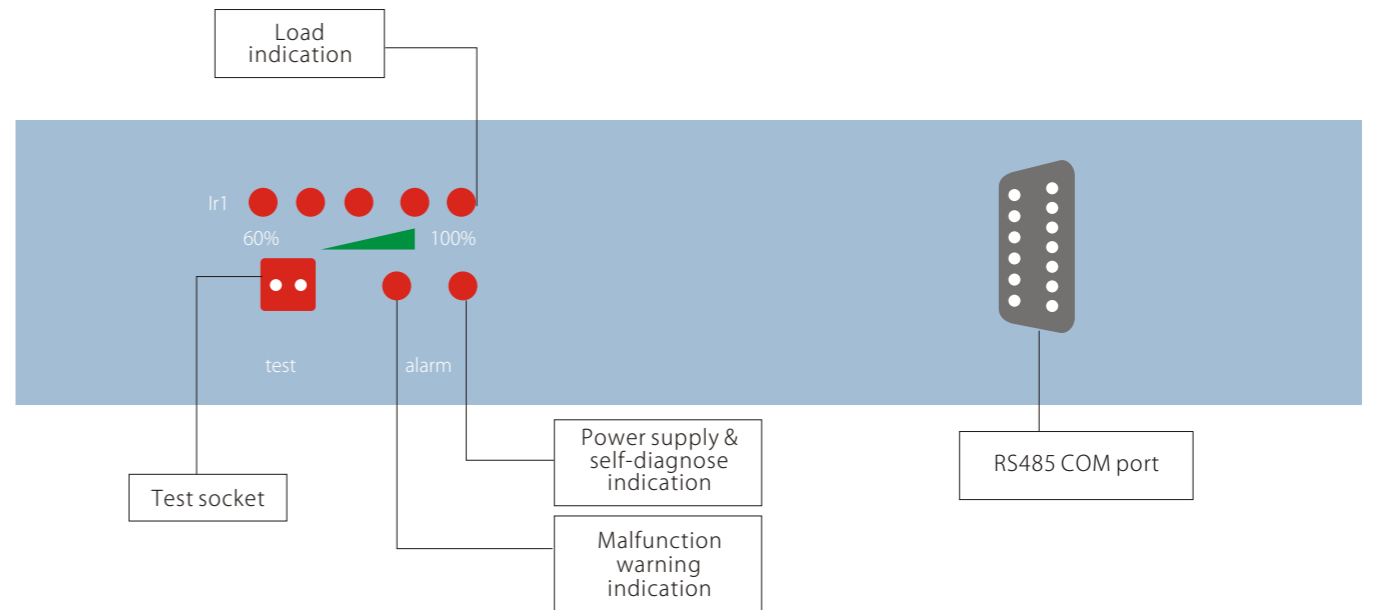


Microprocessor control panel

ST110-M(ST110-M/F) Microprocessor electronic release panel



ST110-H(ST110-H/F) Microprocessor electronic release's panel



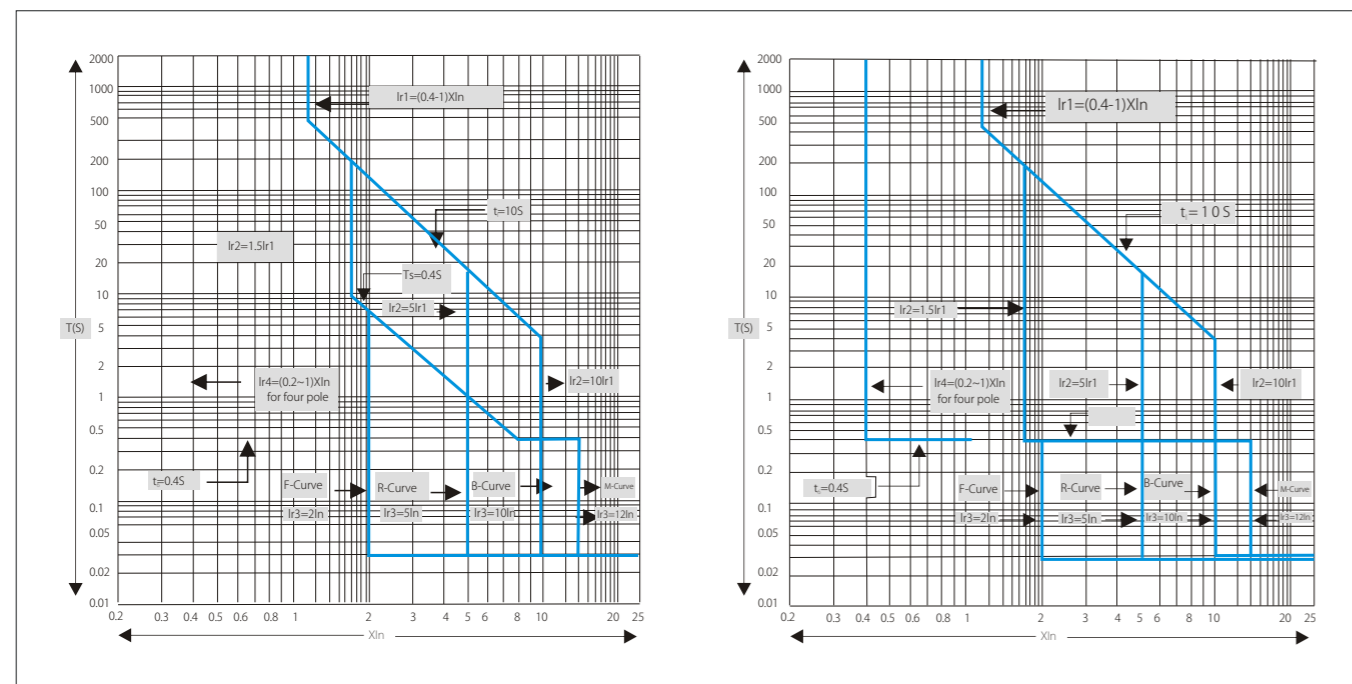


Releasing curve

Microprocessor electronic release main function

Main function of microprocessor electronic release	
Main circuit load indication	The LED in panel indicates 60%、80%、90%、100%.
Power supply indication	The LED in panel indicates
Self-diagnose indication	The LED in panel indicates
Overload pre-warning indication	The LED in panel indicates
Earth fault indication	The LED in panel indicates
Thermal memory	Record over-load cumulate caloric effect
Fast set protection character curve	Basis on different purpose, user can choose short-circuit release's character (curve F、R、B、M)
Signal output of the transition ray contact between breaker and ST-200 Intelligentized control module	Overload pre-warning releasing alarm Earth fault alarm Signal of breaker's on/ off
Releasing test	Test socket
Setting panel parameter	Switch commutating
User can reset the protection character when the main circuit with or without power running	Switch commutating Switch commutating Switch commutating

Electronic release protection character curve



Protection performance of residual current release

Protection performance of circuit breaker's residual current release for power distribution:

No.	Test current type	I/In	Engaged time endurance	Start state
1	Engaged non-release current	1.05	2h(In>63A) 1h(In≤63A)	Cold
2	Engaged release current	1.30	2h(In>63A) 1h(In≤63A)	Hot



Protective performance of circuit breaker's residual current release for motor protection:

No.	Test current type	I/In	Engaged time endurance	Start state
1	Engaged non-release current	1.0	>2h	Cold state
		1.2	≤2h	
2	Engaged release current	1.5	≤2min (In≤200A) ≤4min (200A<In≤400A)	Hot
		7.2	2s<Tp≤10s (In≤200A) 4s<Tp≤10s (200A<In≤400A)	Cold

Outline and installation dimensions

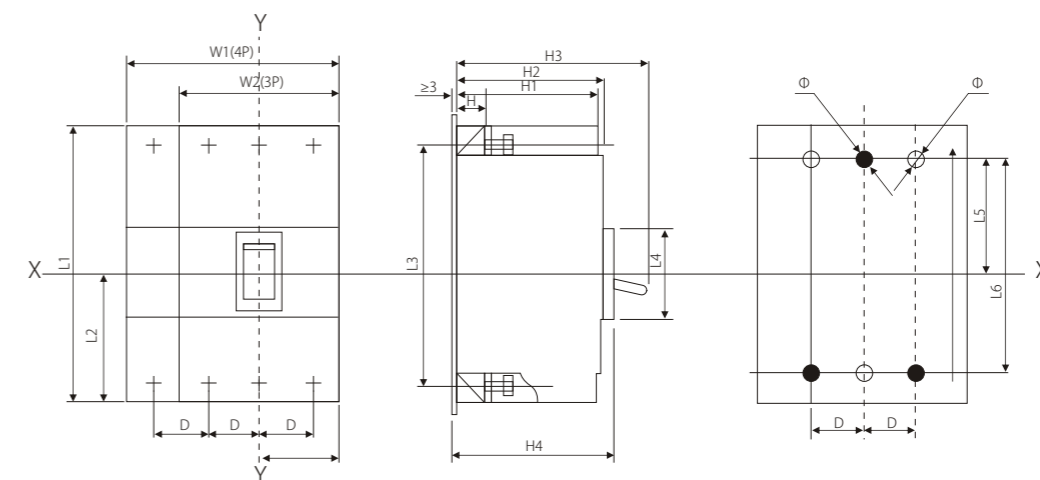
- Installation type: Fixed, Plug-in, Withdrawable type

Frame rated current	Installation					
	Fixed		Plug in		Withdrawable	
	3p	4p	3p	4p	3p	4p
125A	■	■	■	■		
160A	■	■	■	■		
250A	■	■	■	■	■	■
400A	■	■	■	■	■	■
630A	■	■			■	■
800A	■	■			■	■
1250A	■				■	■
1600A	■				■	■

- Breaker's installation dimensions

Fixed type 3SM29-125~160

Connect wire in front of board



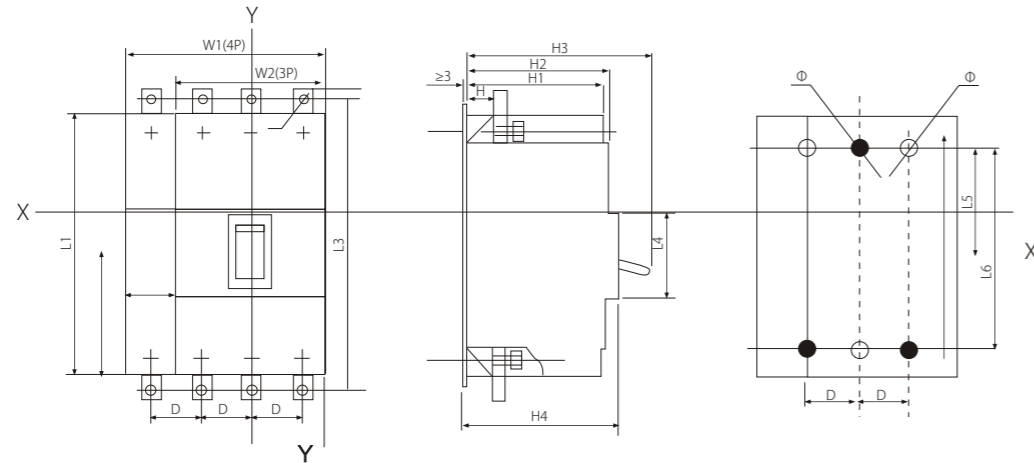
Type	D	L1	L2	L3	L4	L5	L6	W1	W2	H	H1	H2	H3	H4	Φ
3SM29-125	25	120	48	102	45	62	100	101	76	25.5	67.5	70	91	75.5	4.5
3SM29-160	30	120	48	102	45	62	100	120	90	27.5	68.5	71	93	76.5	4.5

Moulded Case Circuit Breakers

Series 3SM29



Fixed type 3SM29-250~1600
Connect wire in front of board



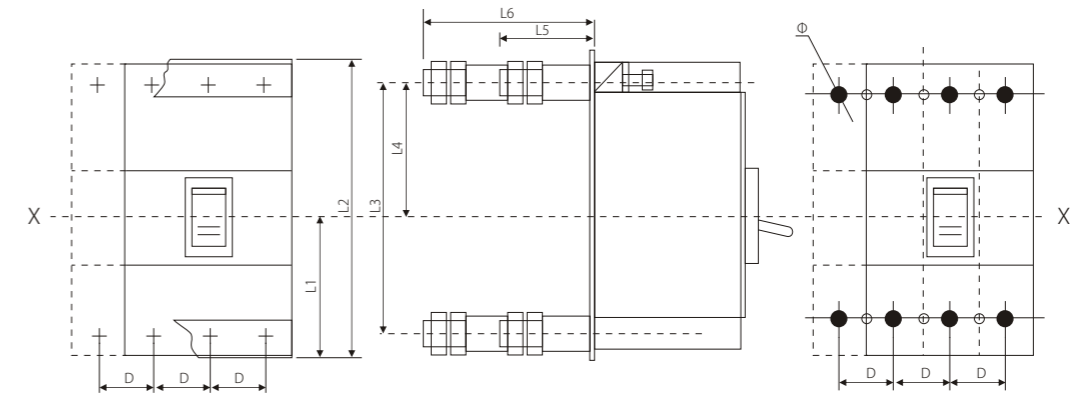
Type	D	L1	L2	L3	L4	L5	L6	W1	W2	H	H1	H2	H3	H4	Φ	L7	Φ1
3SM29-250	35	170	87.25	206	105	73.75	139	140	105	25	101.5	103.5	135	113	5.5	10.8	8.5
3SM29X-250	35	255	87.25	278.5	105	154.5	224	140	105	25	101.5	103.5	135	113	5.5	10.8	8.5
3SM29-400	43.75	254	125.25	281	105	107.25	214	183.75	140	25	101.5	103.5	135	113	5.5	12	14
3SM29-630	70	268	142.75	241	105	109.25	375	280	210	23	101.5	103.5	167.5	115	5.5	10.0	11
3SM29-800	70	268	142.75	241	105	109.25	237	280	210	23	101.5	103.5	167.5	115	5.5	10.0	11
3SM29X-800	70	406	142.75	479	105	256.5	375	280	210	23	101.5	103.5	167.5	115	5.5	10.0	11
3SM29-1600	70	406	189	513	105	203	378	-	210	39	137	138.5	204.5	152	5.5	13.5	11

Moulded Case Circuit Breakers

Series 3SM29

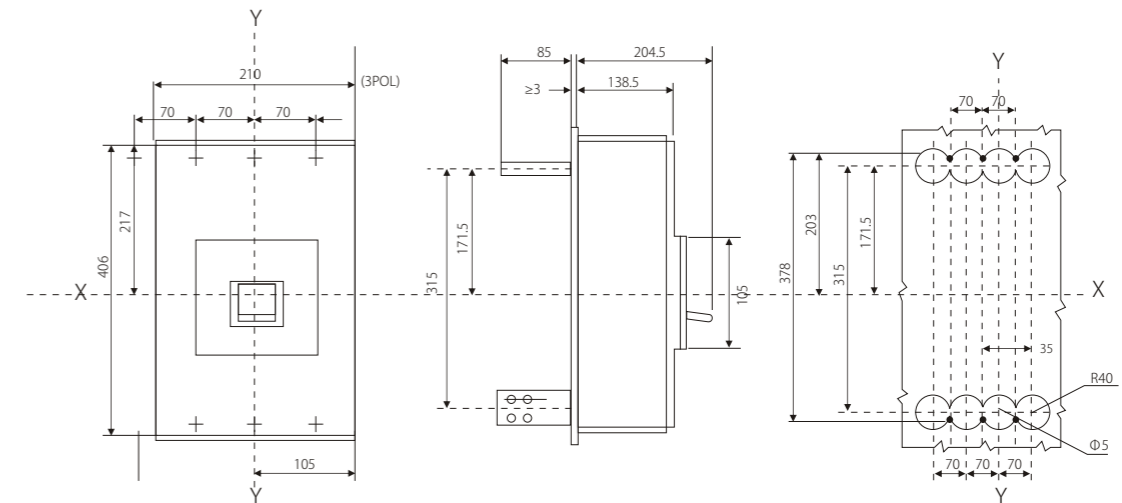


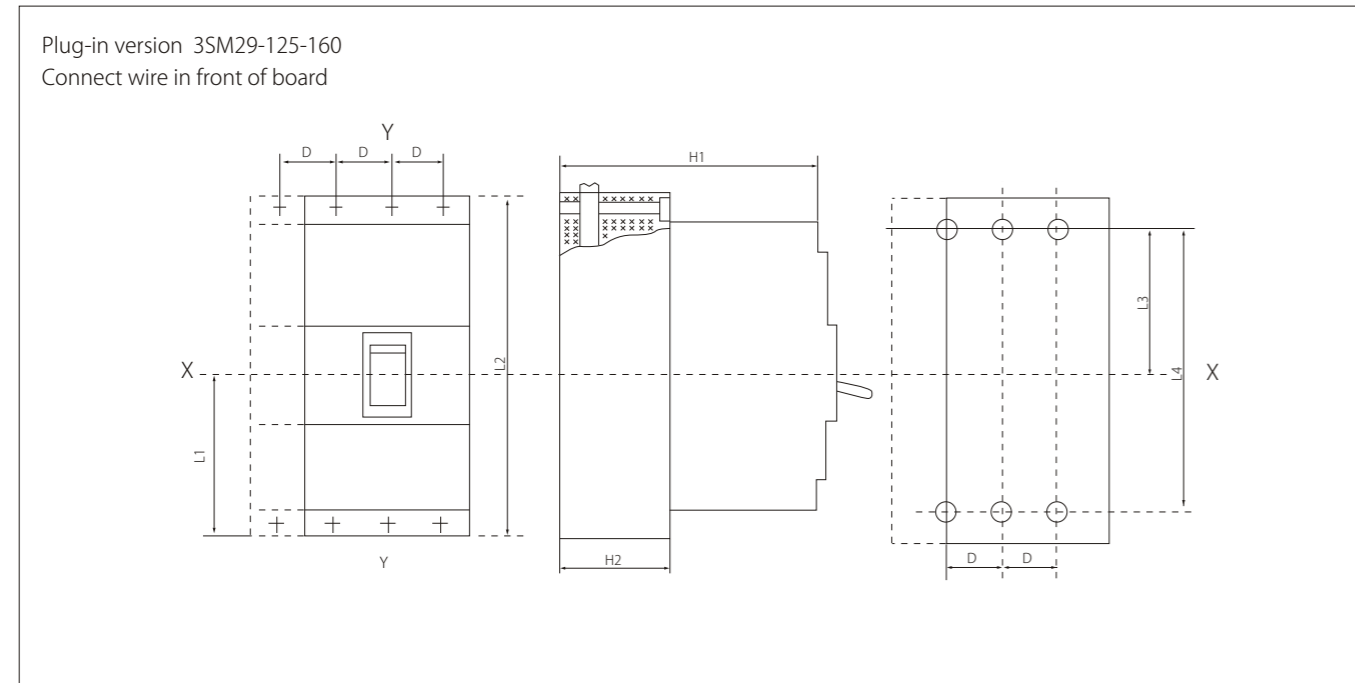
Fixed type 3SM29-125-800
Connect wire behind board



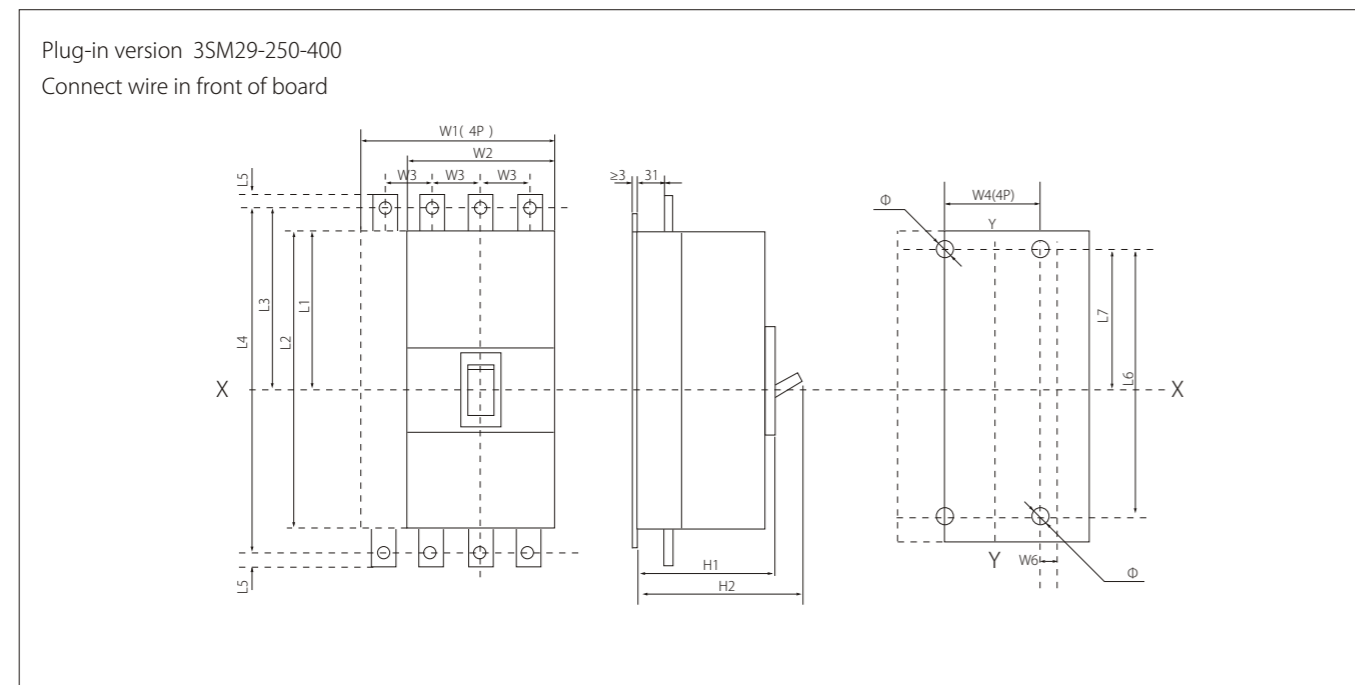
Type	D	L1	L2	L3	L4	L5	L6	Φ1
3SM29-125	25	50	124	102	39	43	76	18
3SM29-160	30	50	124	102	39	43	76	18
3SM29-250	35	85.25	175	145	73.75	55	105	24
3SM29X-250	35	85.25	255	224	123.5	55	105	24
3SM29-400	43.75	131.25	259	218	107.25	55	105	30
3SM29-630	70	145.25	273	241	117.25	55	74.5	50
3SM29-800	70	145.25	273	241	117.25	55	74.5	50

Fixed type 3SM29-1600
Connect wire in front of board

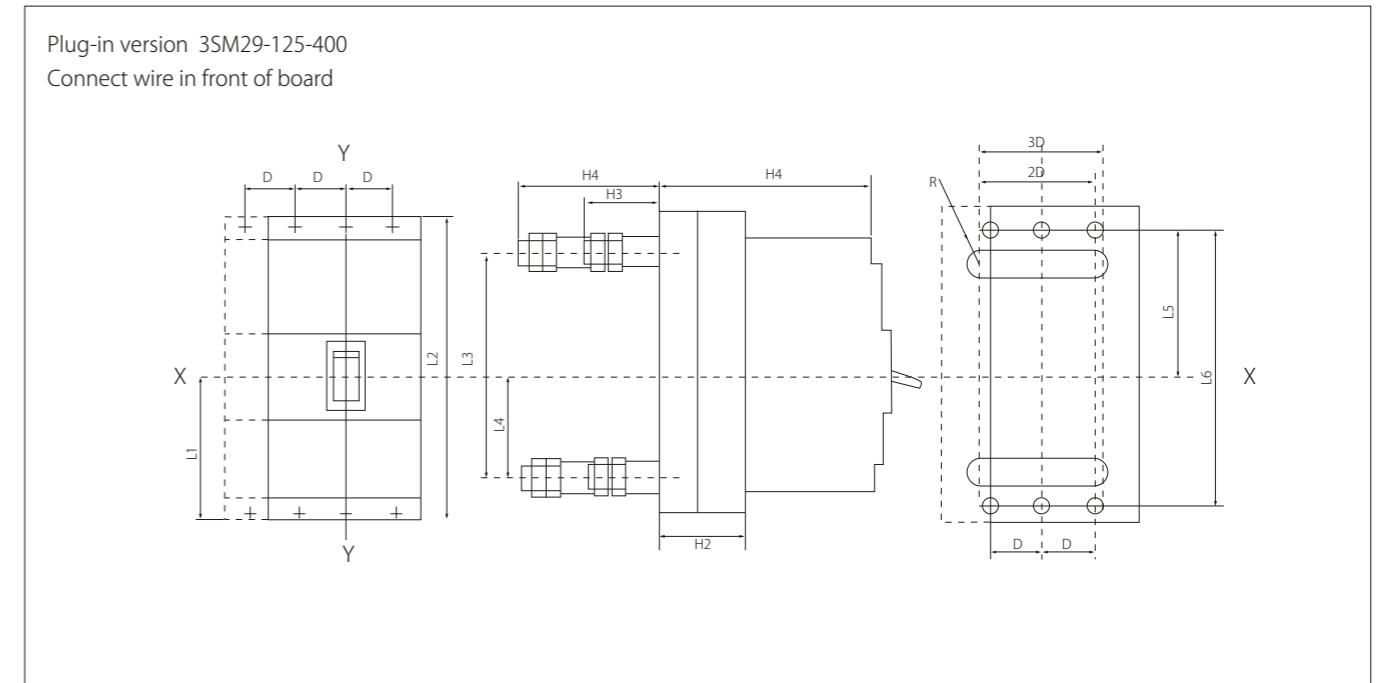




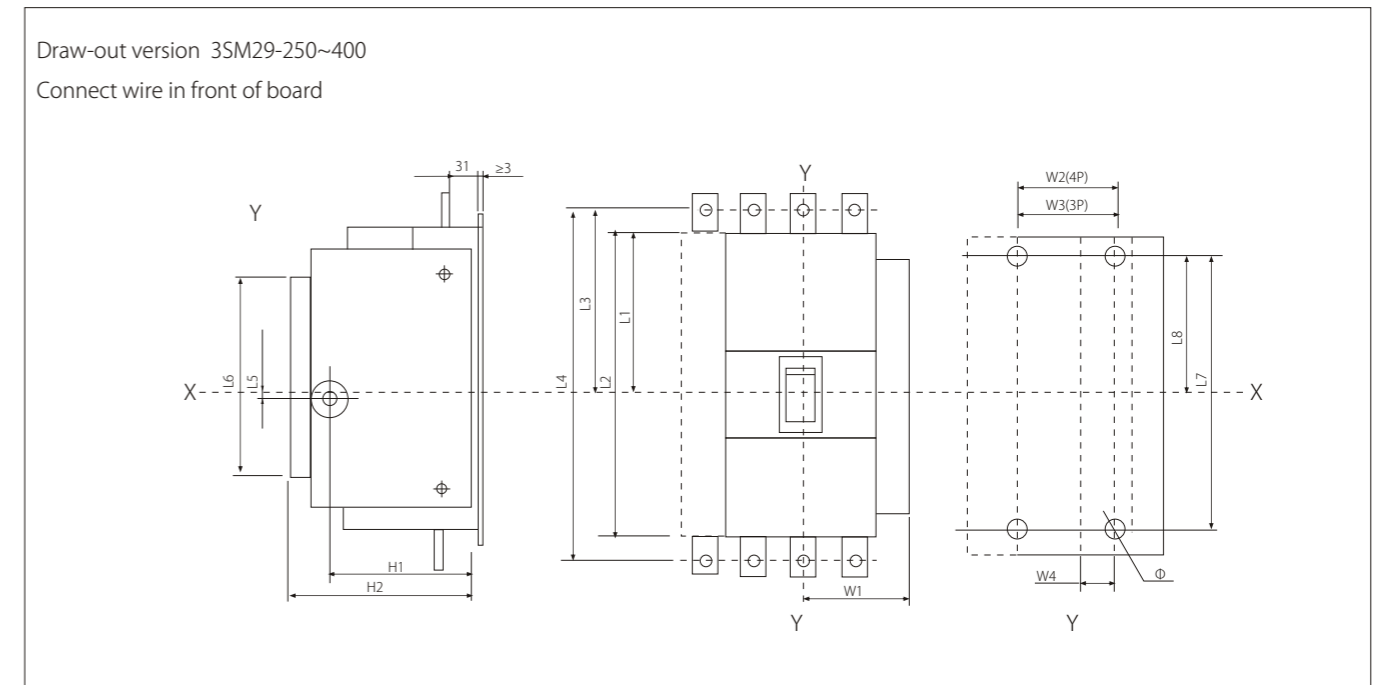
Type	D	L1	L2	L3	L4	H1	H2
3SM29-125	25	70	163	84	144	123	52
3SM29-160	30	70	163	84	144	123	52



Type	L1	L2	L3	L4	L5	L6	L7	W1	W2	W3	W4	W6	H1	H2	Φ
3SM29-250	89.7	175	107.25	210	10	52.25	100	140	105	35	105	25	153	184.5	5
3SM29-400	127.75	259	150.75	305	14	65.75	135	183.75	140	43.75	160	58	153	184.5	6



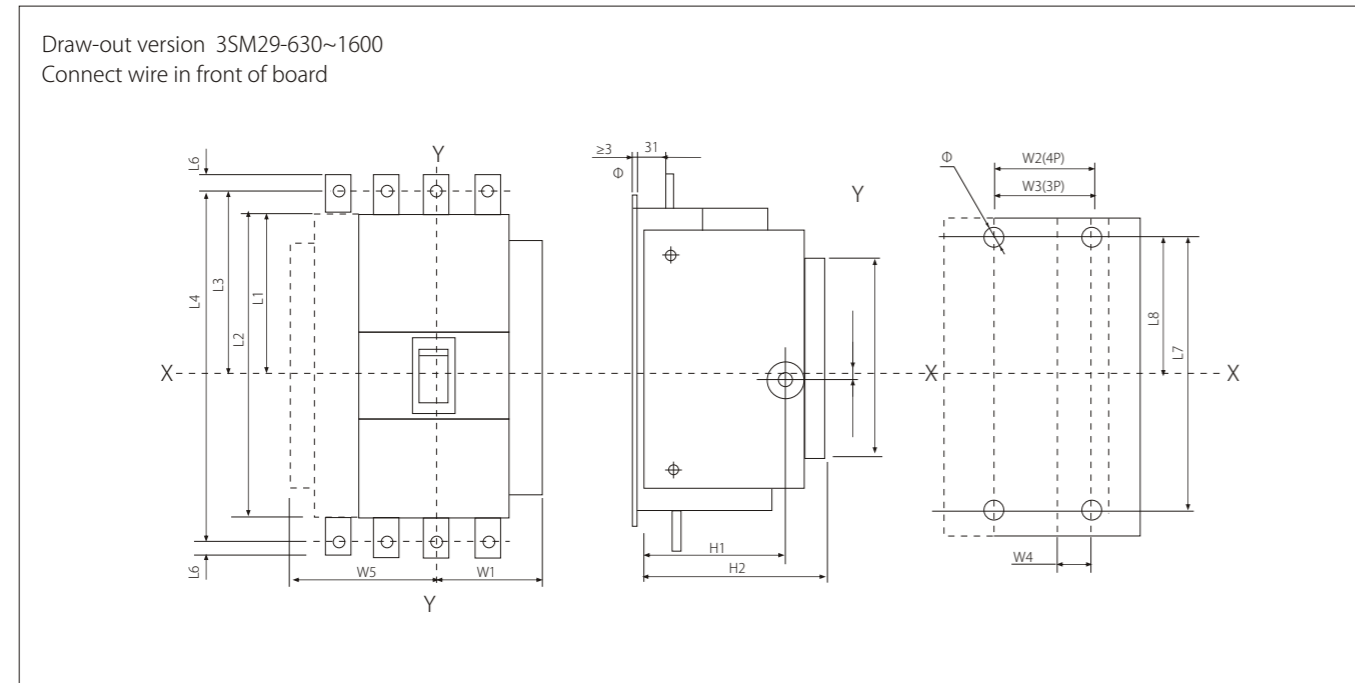
Type	D	L1	L2	L3	L4	L5	L6	H1	H2	H3	H4
3SM29-125	25	70	163	102	39	84	144	123	52	50	80
3SM29-160	30	70	163	102	39	84	144	123	52	50	80
3SM29-250	35	85.25	175	143	69.2	52.5	100	184.5	83	52	96
3SM29-400	43.75	131.25	259	218	110.75	107.25	218	184.5	83	55	100



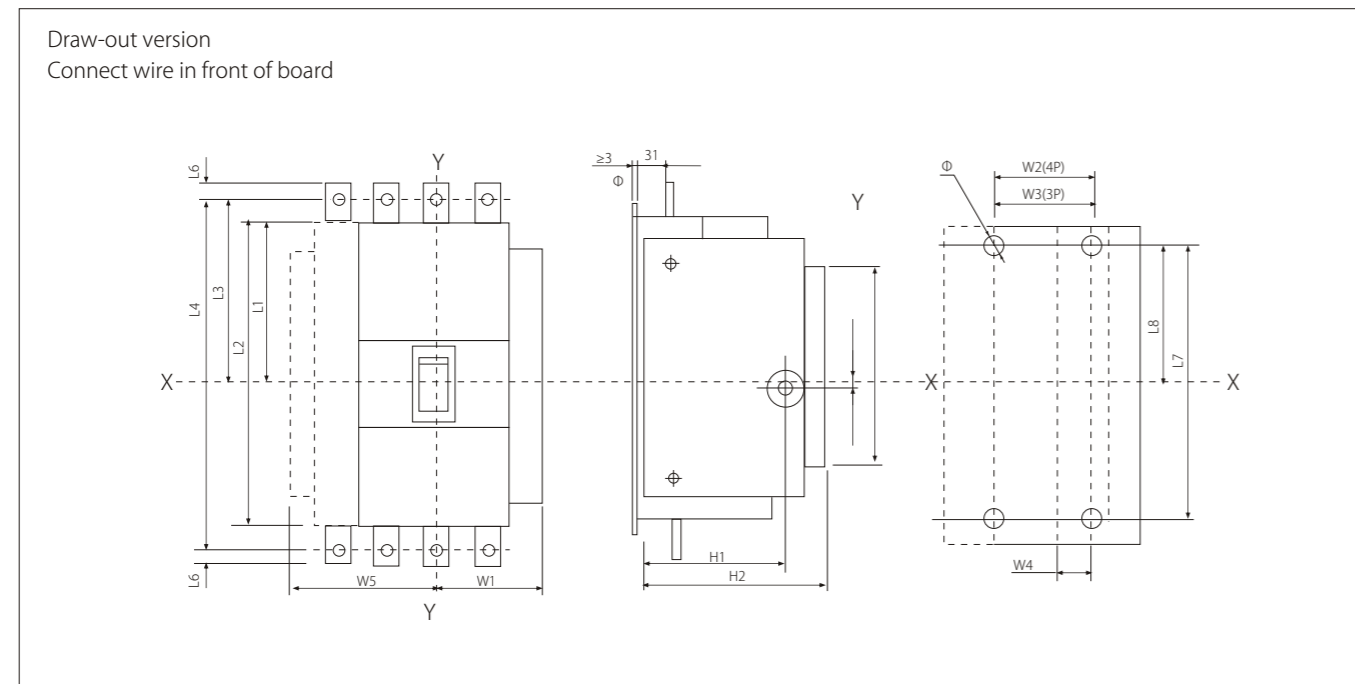
Type	L1	L2	L3	L4	L5	L6	L7	L8	L9	W1	W2	W3	W4	W5	H1	H2	Φ
3SM29-250	89.75	175	107.25	210	1.75	105	52.25	100	-	84	105	70	25	-	167	190	5
3SM29-400	127.75	259	150.75	305	1.75	105	65.75	135	-	101.5	160	115	58	-	167	190	6

Moulded Case Circuit Breakers

Series 3SM29



Type	L1	L2	L3	L4	L5	L6	L7	L8	L9	W1	W2	W3	W4	W5	H1	H2	Φ
3SM29-630	133	295	158	345	14.5	140	45.5	120	20	136.5	210	210	140	193.5	167	190	8.5
3SM29-800	133	295	158	345	14.5	140	45.5	120	20	136.5	210	210	140	193.5	167	190	8.5
3SM29-1600	211.25	406	268.25	520	8.25	140	68.25	120	-	136.5	-	210	140	193.5	218.5	241.5	8.5



Type	L1	L2	L3	L4	L5	L6	L7	L8	W1	W2	W3	W4	W5	H1	H2	H3	H4	Φ
3SM29-250	175	87.75	143	73.75	1.75	105	52.25	100	84	105	70	70	105	167	190	52	96	5
3SM29-400	259	127.75	218	107.25	1.75	105	65.75	135	101.5	160	115	87.5	131.25	167	190	55	100	6

Moulded Case Circuit Breakers

Series 3SM29

